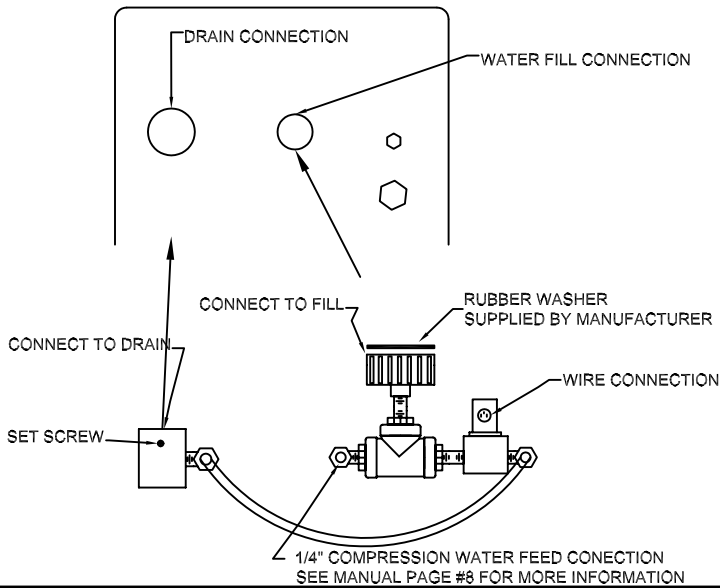
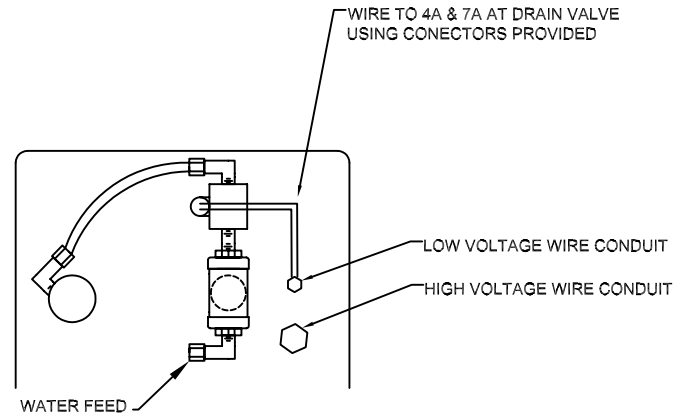


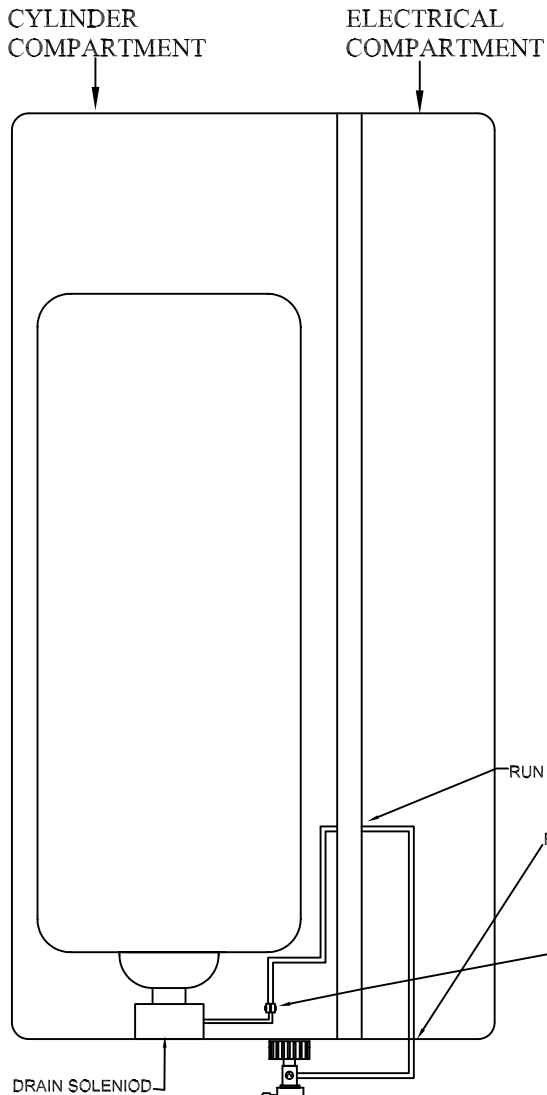
(FIGURE # 1)



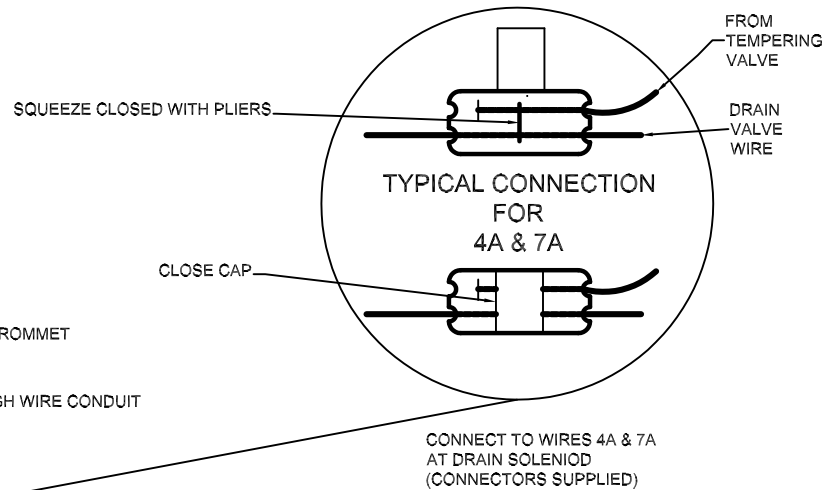
(FIGURE # 2)



(FIGURE # 3)



- 1) Connect 1 1/4" CPVC fitting to drain shown in figure #1 & #2. Do not overtighten set screw.
- 2) Connect fill assemb. with rubber washer to 3/4" fitting shown in figure #1 & #2. Hand tighten fitting, then give a 1/4 turn with wrench.
- 3) Hook up wires to tempering valve and run them through low voltage conduit connection shown in figure #2. Continue wire through grommet between the electrical and cylinder compartments shown in figure #3.
- 4) Connect wires to the drain solenoid wires 4A & 7A using the connectors supplied by Manufacture.



THESE DRAWINGS/SPECIFICATIONS ARE THE PROPERTY OF CAREL USA LLC AND MAY NOT BE REPRODUCED, COPIED OR USED IN ANY WAY OR FOR ANY REASON WITHOUT THE EXPRESSED WRITTEN PERMISSION OF CAREL USA LLC

CAREL USA, LLC

1834 Freedom Road, Lancaster, PA

Title: UR, UE, UM DRAIN TEMPERING VALVE INSTALATION

Part Number: KITUTEMP15

Drawing No. 10064

Created By: BGK
Date: 07/01/03

Revision: 00
Revised By: BGK
Date: 07/01/03

Approved By:
Date:

Filename: MISC-MA-KITUTEMP INSTALL-00

Scale: NS