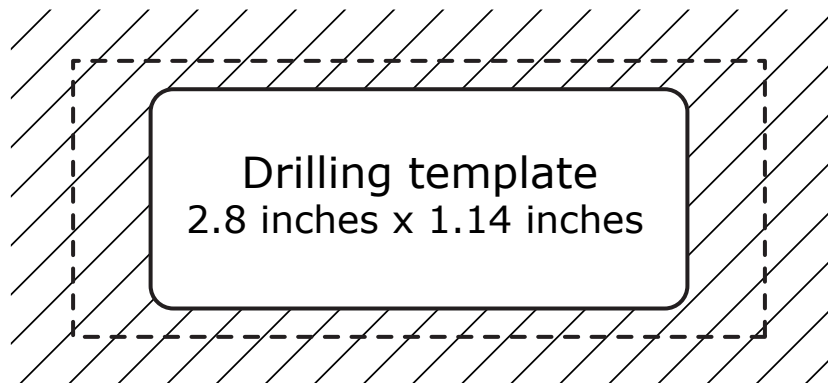
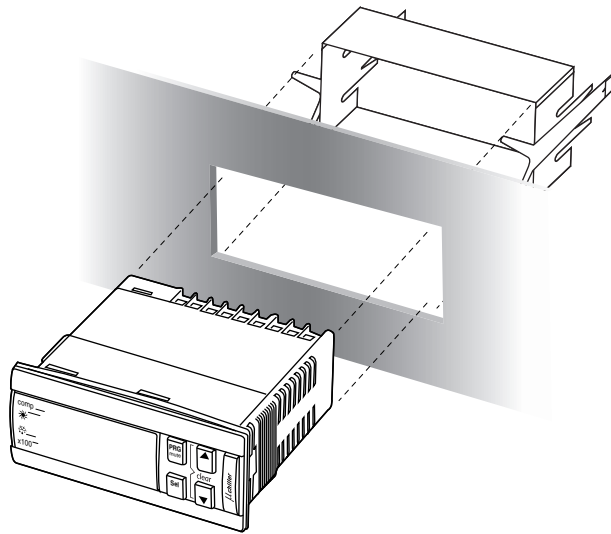


IR32ME: electronic thermometers

Panel mounting



Overall dimensions 3.6 inches x 1.44 inches