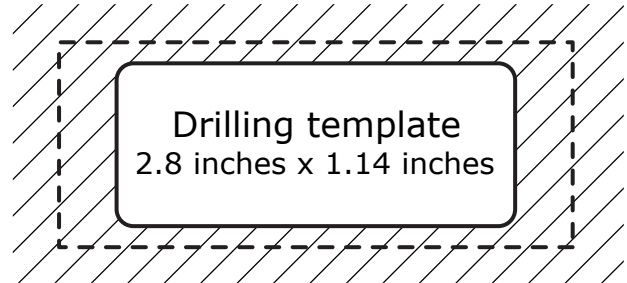
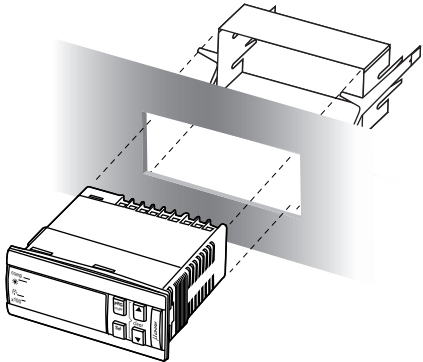


IR32 - IRDR: thermostats, humidistats and pressure switches with 4 outputs for SSR

IR32A*

Panel mounting



Overall dimensions 3.6 inches x 1.44 inches

IRDRA*

DIN rail mounting

