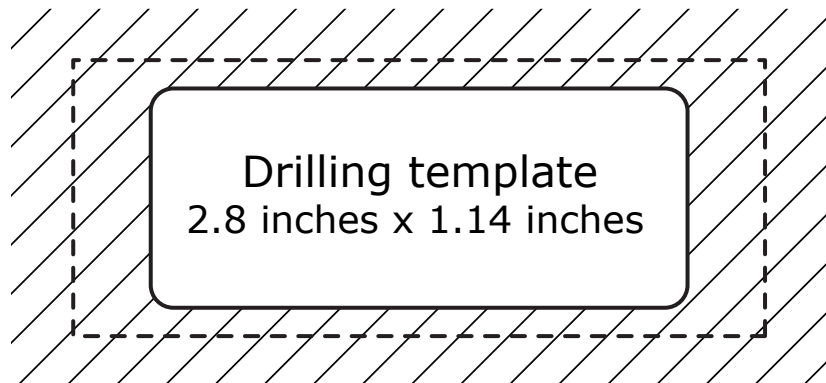
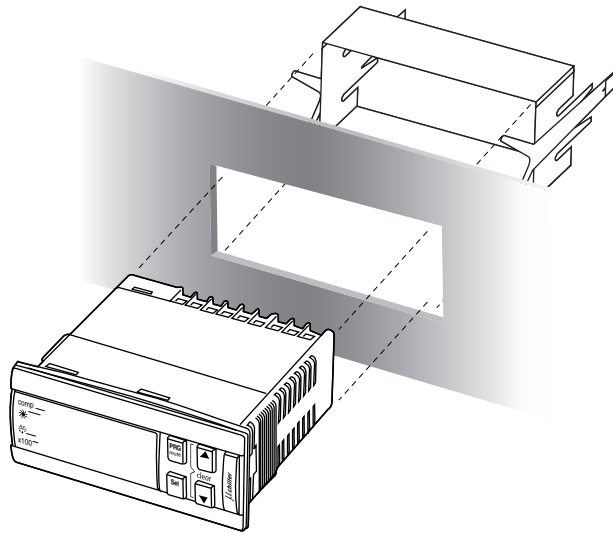


***IR32: thermostats, humidistats and  
pressure switches with 1 output for SSR***

Panel mounting



Overall dimensions 3.6 inches x 1.44 inches